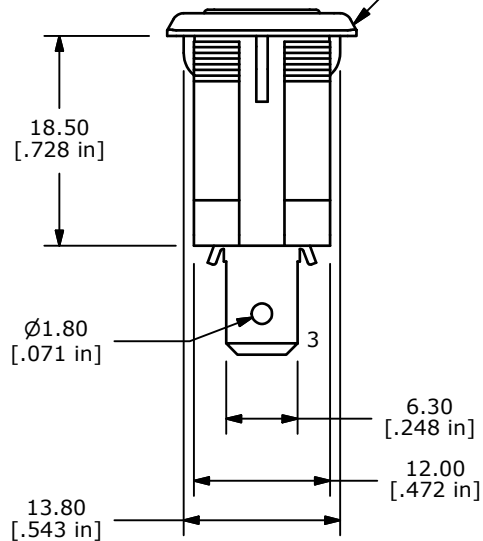
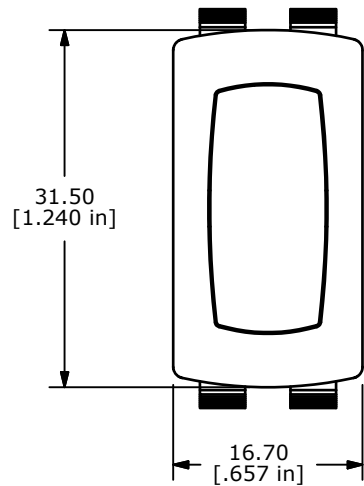
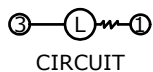
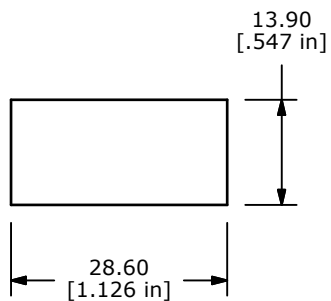
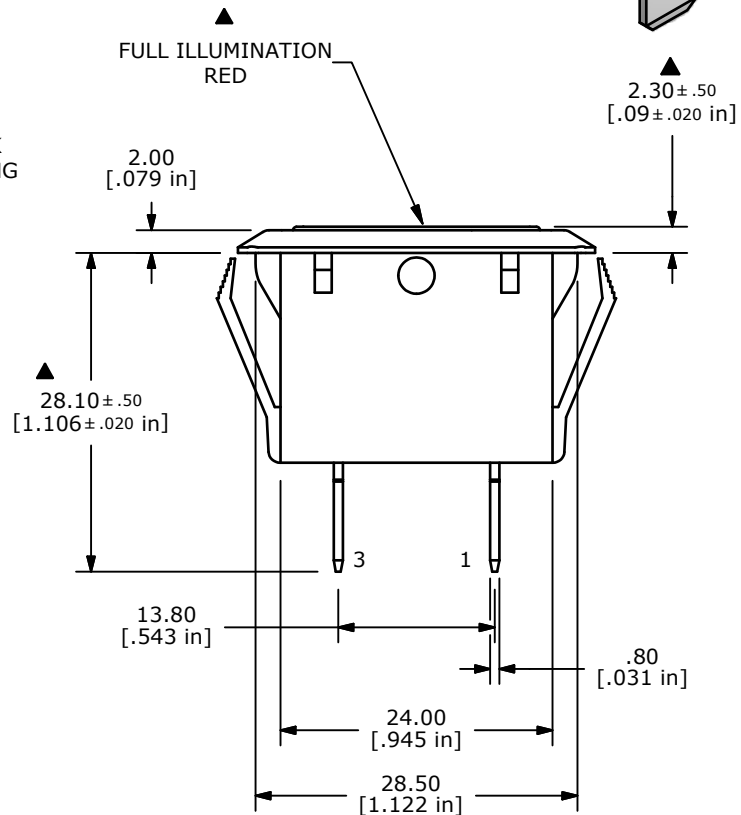
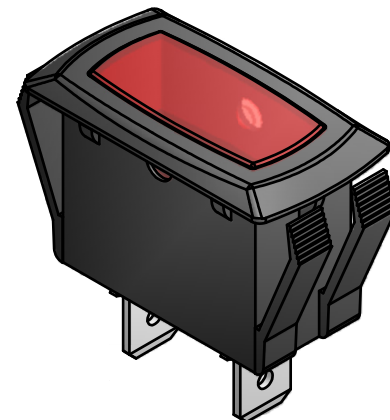


SUGGESTED PANEL CUTOUT



BLACK HOUSING



- NOTES:
1. ALL DIMENSIONS IN MM [INCH]
  2. GENERAL TOLERANCE: X.X=±0.4  
X.XX=±0.25
  3. TERM. NOS. FOR REF. ONLY
  - ▲ 4. FUNCTION: SIGNAL LIGHT
  - ▲ 5. LAMP VOLTAGE: 250V NEON BULB
  6. ▲ DENOTES CRITICAL PARAMETER.
  7. 2002/95/EC (ROHS) COMPLIANT.



TITLE RSC14001000-117

A	19014	Release For Production	4/14/10	BLR
REV	PCR NO	DESCRIPTION	DATE	BY

SCALE	DATE	DR	DWG	REV
1.5 : 1	12/8/2011	BGL	14-RSC14001000117	A

THE INFORMATION CONTAINED IN THIS DOCUMENT IS PROPRIETARY TO E-SWITCH AND IS NOT TO BE COPIED OR TRANSFERRED